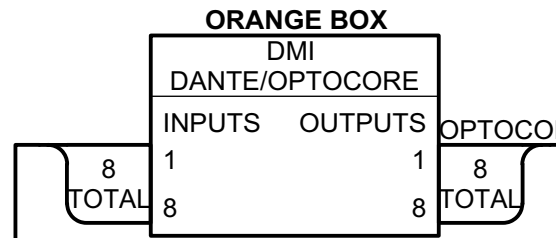
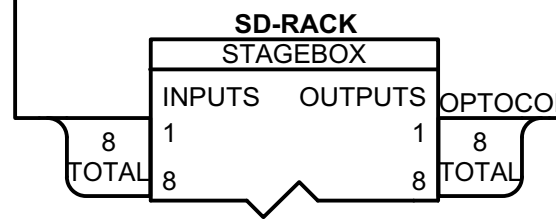
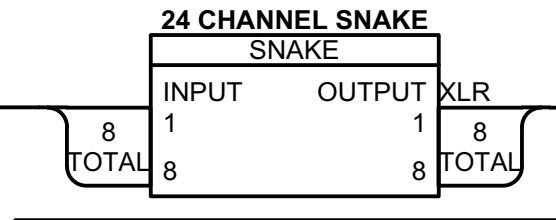
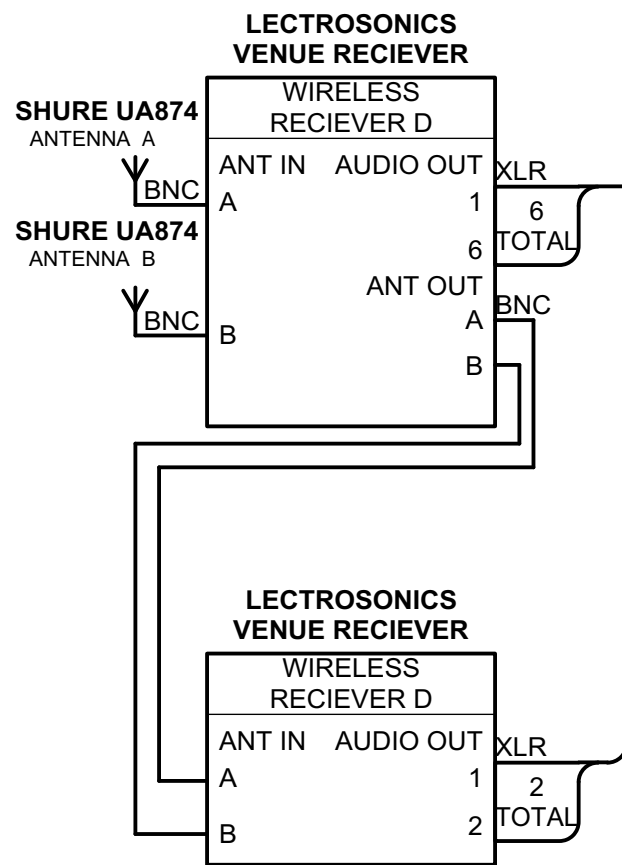
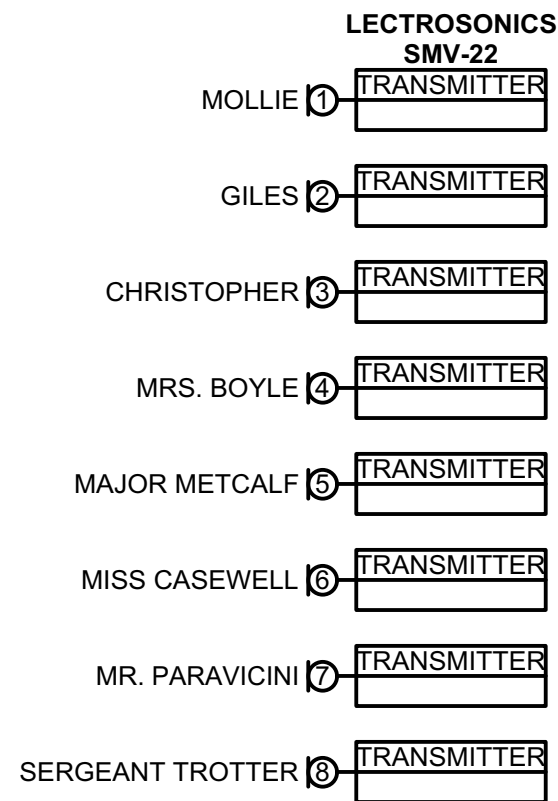
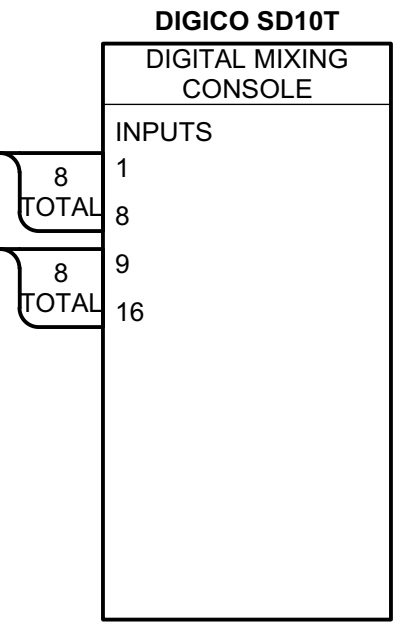


UP STAGE RIGHT

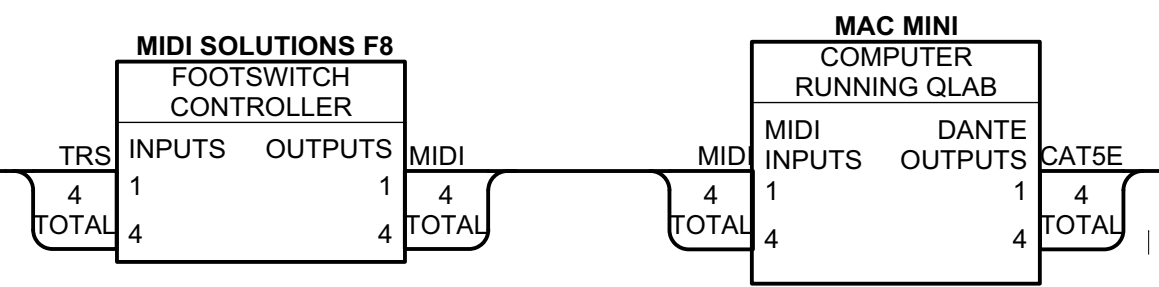
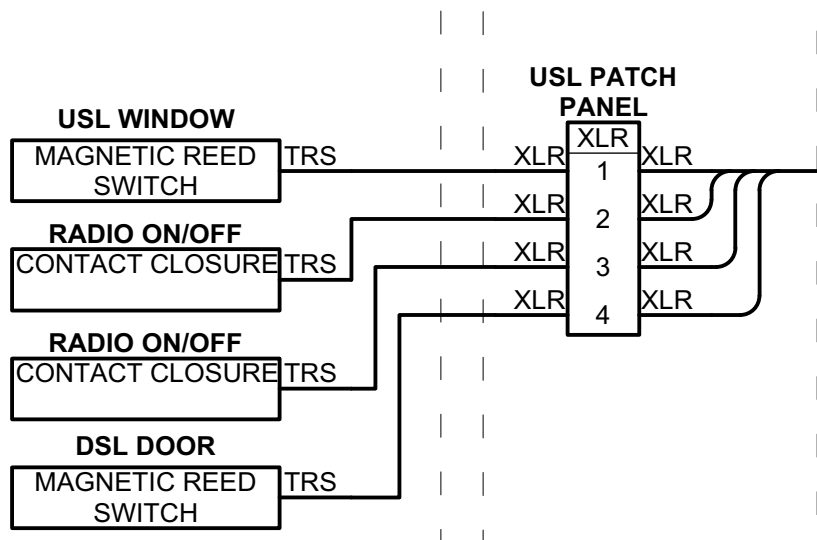


FRONT OF HOUSE

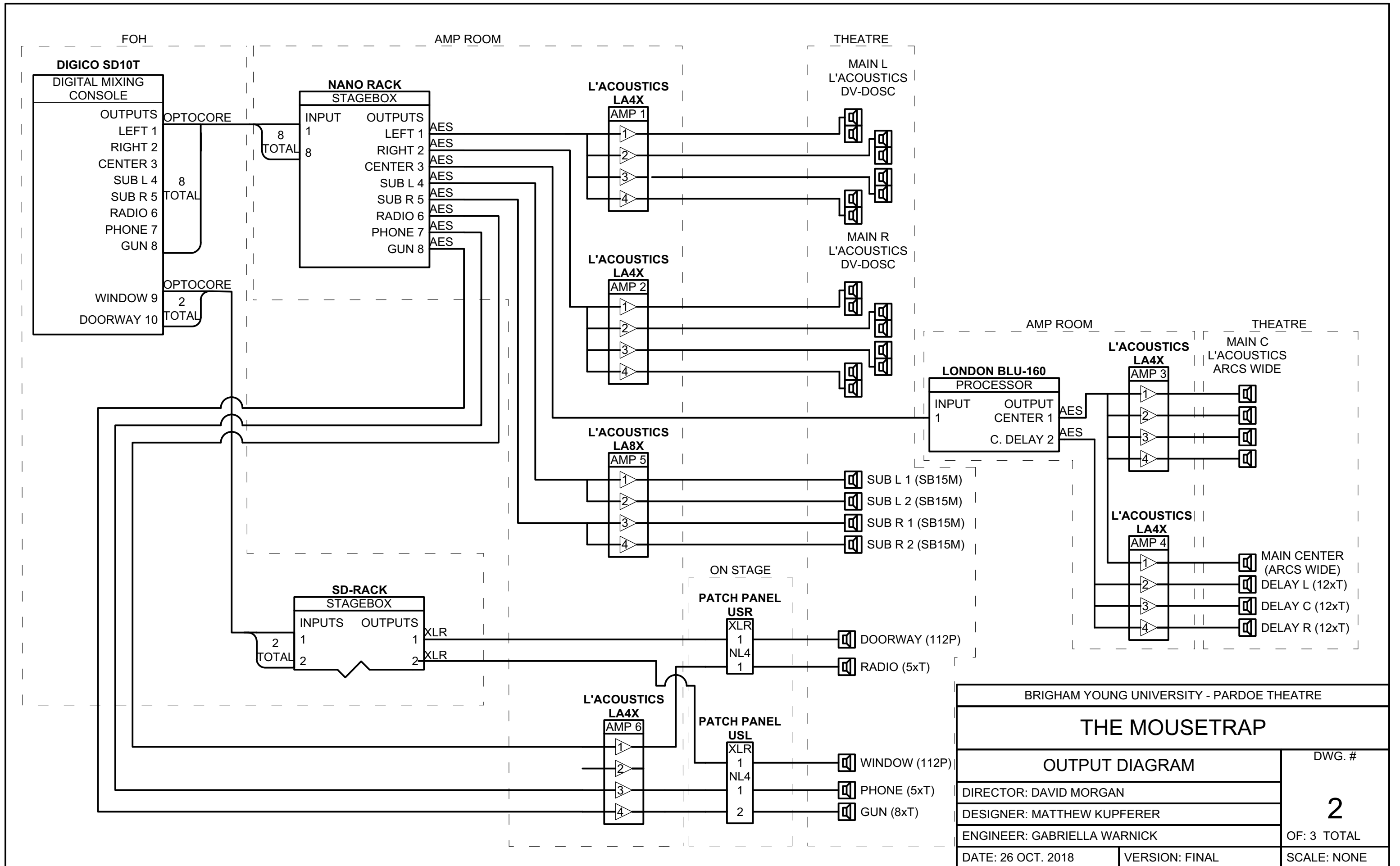


ON STAGE

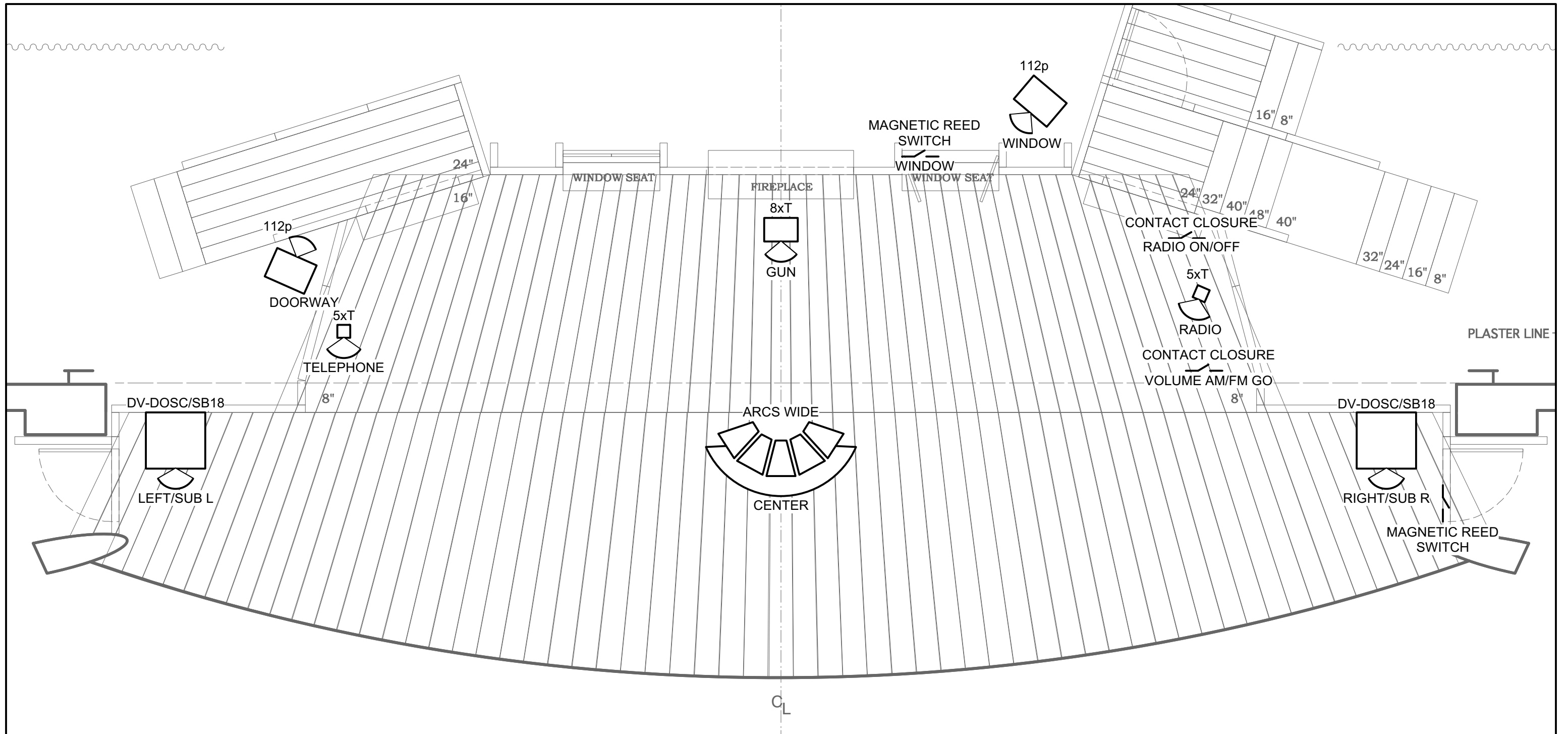
UP STAGE LEFT



BRIGHAM YOUNG UNIVERSITY - PARDOE THEATRE		
THE MOUSETRAP		
INPUT DIAGRAM		DWG. #
DIRECTOR: DAVID MORGAN		1
DESIGNER: MATTHEW KUPFERER		OF: 3 TOTAL
ENGINEER: GABRIELLA WARNICK		SCALE: NONE
DATE: 26 OCT. 2018	VERSION: FINAL	



BRIGHAM YOUNG UNIVERSITY - PARDOE THEATRE		
THE MOUSETRAP		
OUTPUT DIAGRAM	DWG. #	
DIRECTOR: DAVID MORGAN		2
DESIGNER: MATTHEW KUPFERER		OF: 3 TOTAL
ENGINEER: GABRIELLA WARNICK		SCALE: NONE
DATE: 26 OCT. 2018	VERSION: FINAL	



BRIGHAM YOUNG UNIVERSITY - PARDOE THEATRE		
THE MOUSETRAP		
SPEAKER/COTACT CLOSURE PLOT		DWG. #
DIRECTOR: DAVID MORGAN		3
DESIGNER: MATTHEW KUPFERER		
SCENIC DESIGNER: NAT REED		OF: 3 TOTAL
DATE: 26 OCT. 2018	VERSION: FINAL	SCALE: NONE