

FRANKIE & CHARLIE
Terrifying You Since 1831



SHOW
HILLOWEEN

VENUE
HISTORIC MITCHELL
COUNTY COURTHOUSE

DESIGNER
MATTHEW KUPFERER

DRAFTER
JAEDON HARPE

NOTES

TITLE
TITLE
PAGE

PLATE
1 / 9

DATE
1-Nov-22 | SCALE
NO SCALE

FILENAME
HW FINAL PACKAGE.DWG



HILLOWEEN

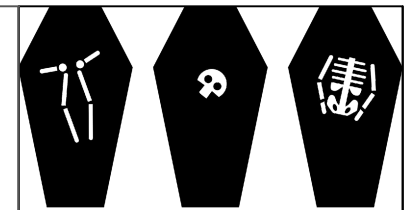
Sound Designer: Matthew Kupferer

Production Sound Engineer: Jaedon Harpe

Faculty Advisor: Lindsay Putnam

TABLE OF CONTENTS

1. TITLE PAGE
2. TOC
3. SPEAKER PLOT-ELEVATION
4. SPEAKER PLOT-PLAN
5. SPEAKER PLOT-SECTION
6. BLOCK DIAGRAM
7. NETWORK DIAGRAM
8. POWER DIAGRAM
9. PATCH PLOT



FRANKIE & CHARLIE
Terrifying You Since 1831



SHOW
HALLOWEEN

VENUE
HISTORIC MITCHELL
COUNTY COURTHOUSE

DESIGNER
MATTHEW KUPFERER

DRAFTER
JAEDON HARPE

NOTES

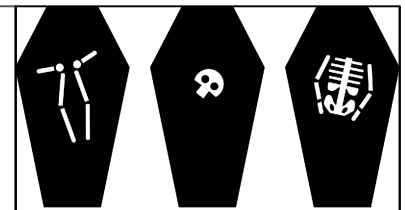
TITLE
TABLE
OF
CONTENTS

PLATE

2 / 9

DATE
1-Nov-22 | SCALE
NO SCALE

FILENAME
HW FINAL PACKAGE.DWG



FRANKIE & CHARLIE
Terrifying You Since 1831



SHOW
HILLOWEEN

VENUE
HISTORIC MITCHELL
COUNTY COURTHOUSE

DESIGNER
MATTHEW KUPFERER

DRAFTER
MATTHEW KUPFERER

NOTES

TITLE
SPEAKER PLOT
ELEVATION

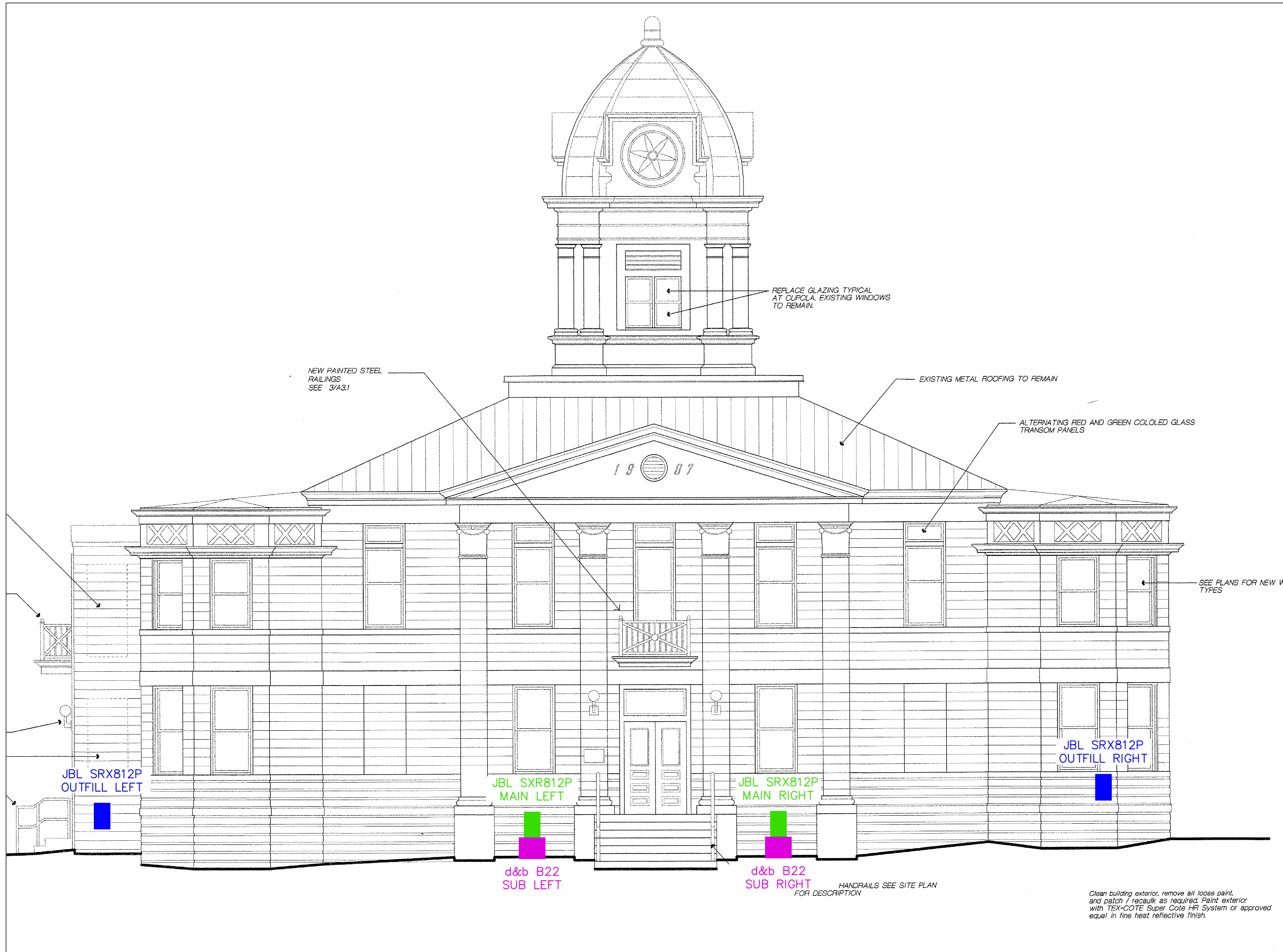
PLATE

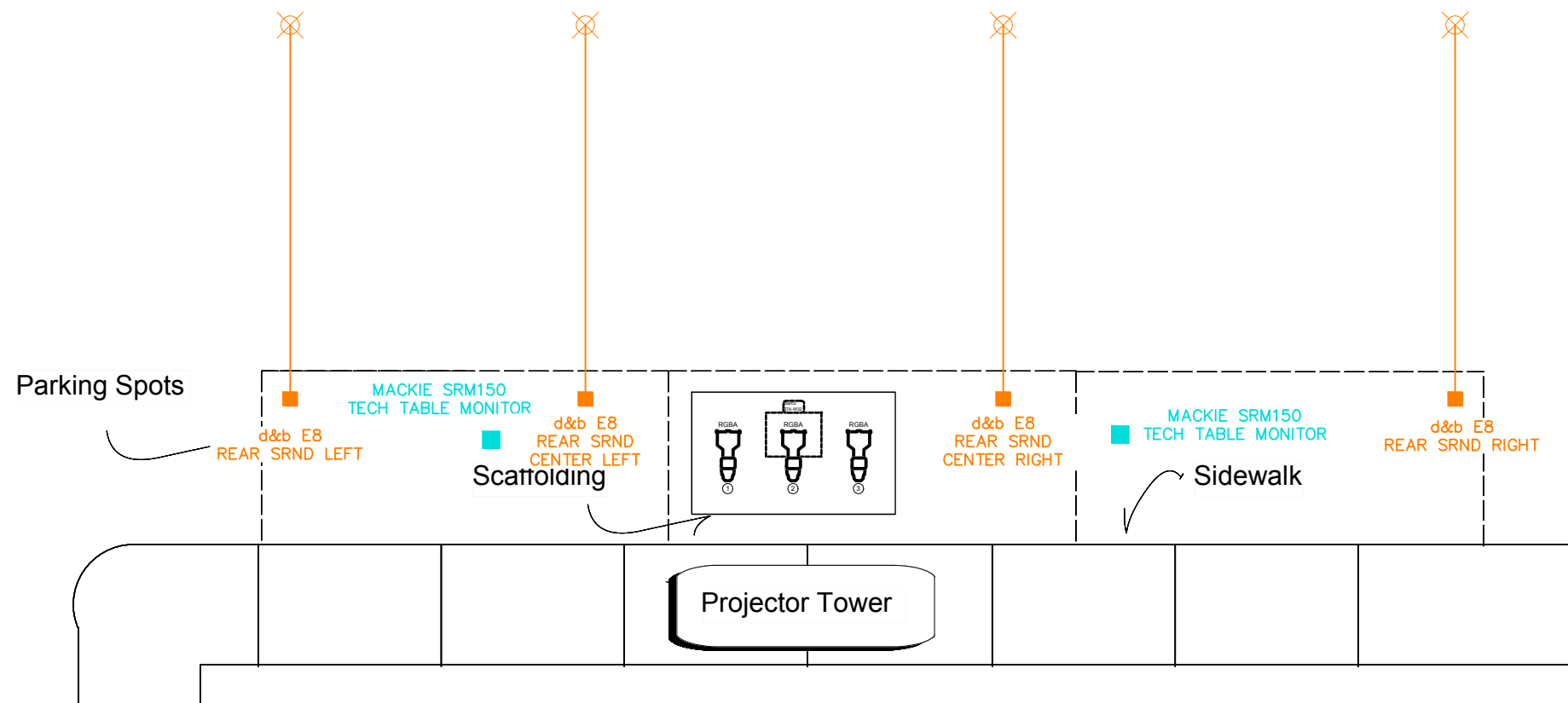
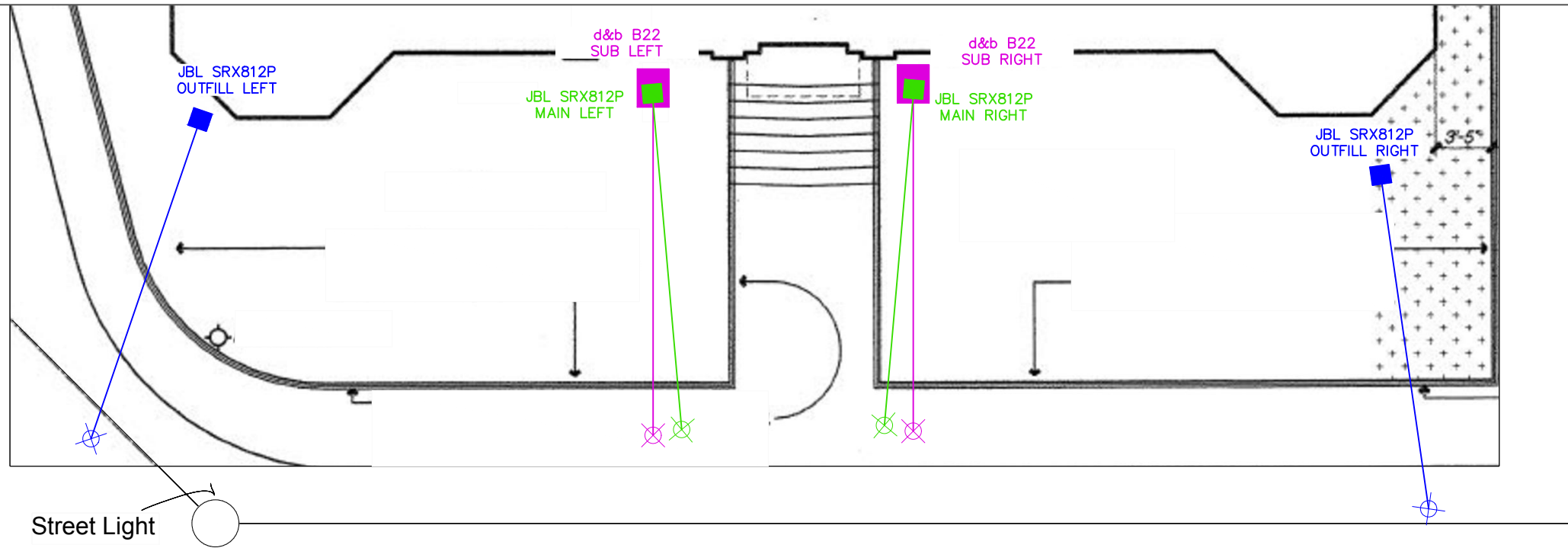
3 / 9

DATE
1-Nov-22

SCALE
NO SCALE

FILENAME
HW FINAL PACKAGE.DWG





FRANKIE & CHARLIE
Terrifying You Since 1831



SHOW
HILLOWEEN

VENUE
HISTORIC MITCHELL
COUNTY COURTHOUSE

DESIGNER
MATTHEW KUPFERER

DRAFTER
MATTHEW KUPFERER

NOTES

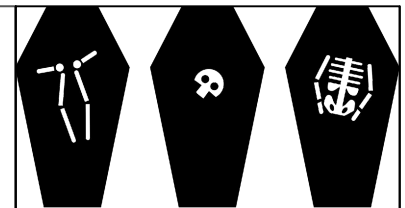
TITLE
SPEAKER PLOT
PLAN

PLATE

4 / 9

DATE
1-Nov-22 | SCALE
NO SCALE

FILENAME
HW FINAL PACKAGE.DWG



FRANKIE & CHARLIE
Terrifying You Since 1831



SHOW
HILLOWEEN

VENUE
HISTORIC MITCHELL
COUNTY COURTHOUSE

DESIGNER
MATTHEW KUPFERER

DRAFTER
MATTHEW KUPFERER

NOTES

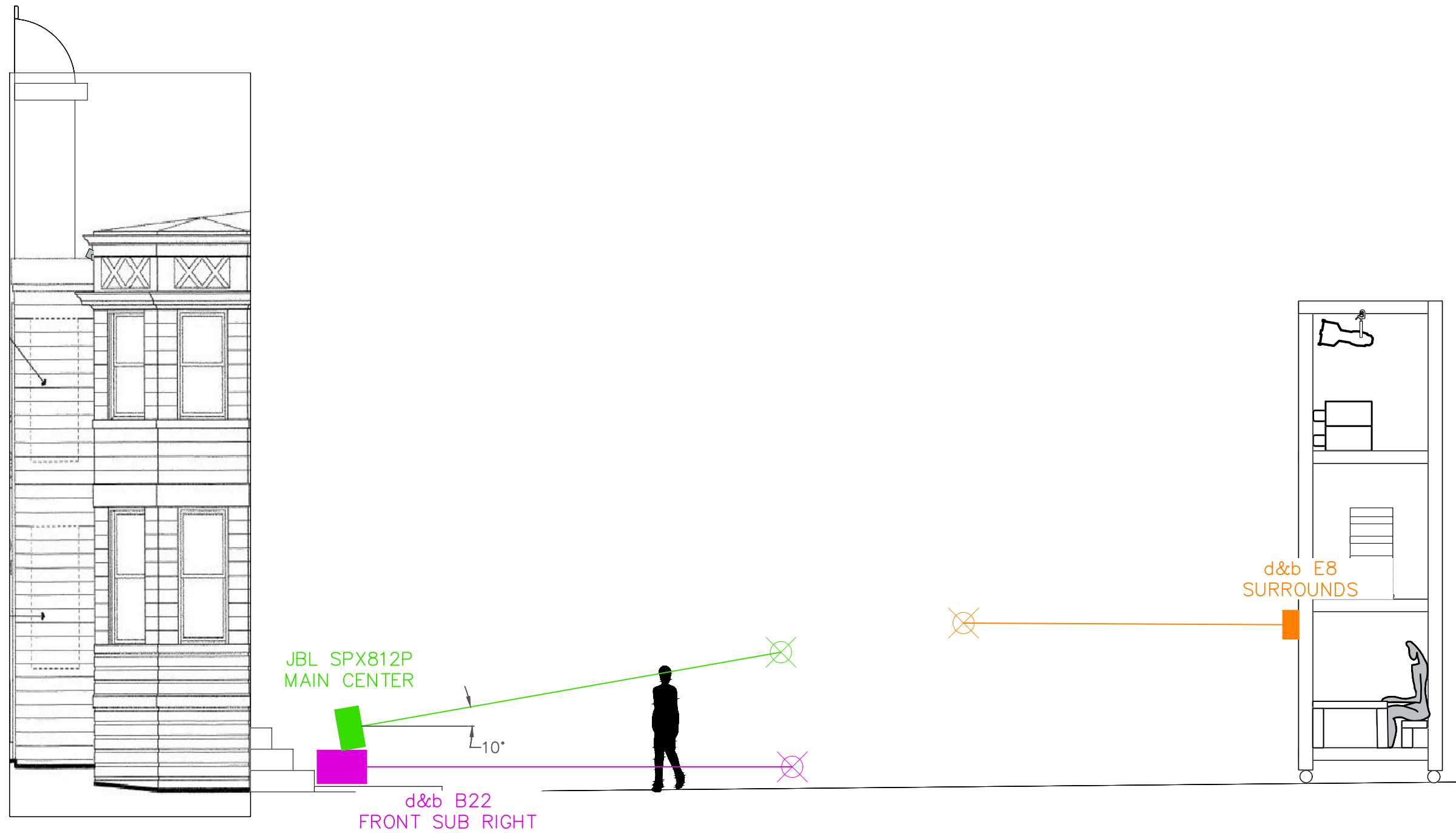
TITLE
SPEAKER PLOT
SECTION

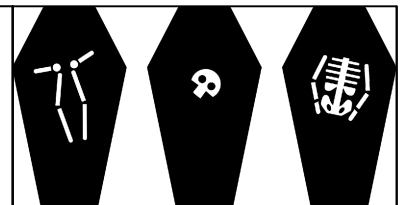
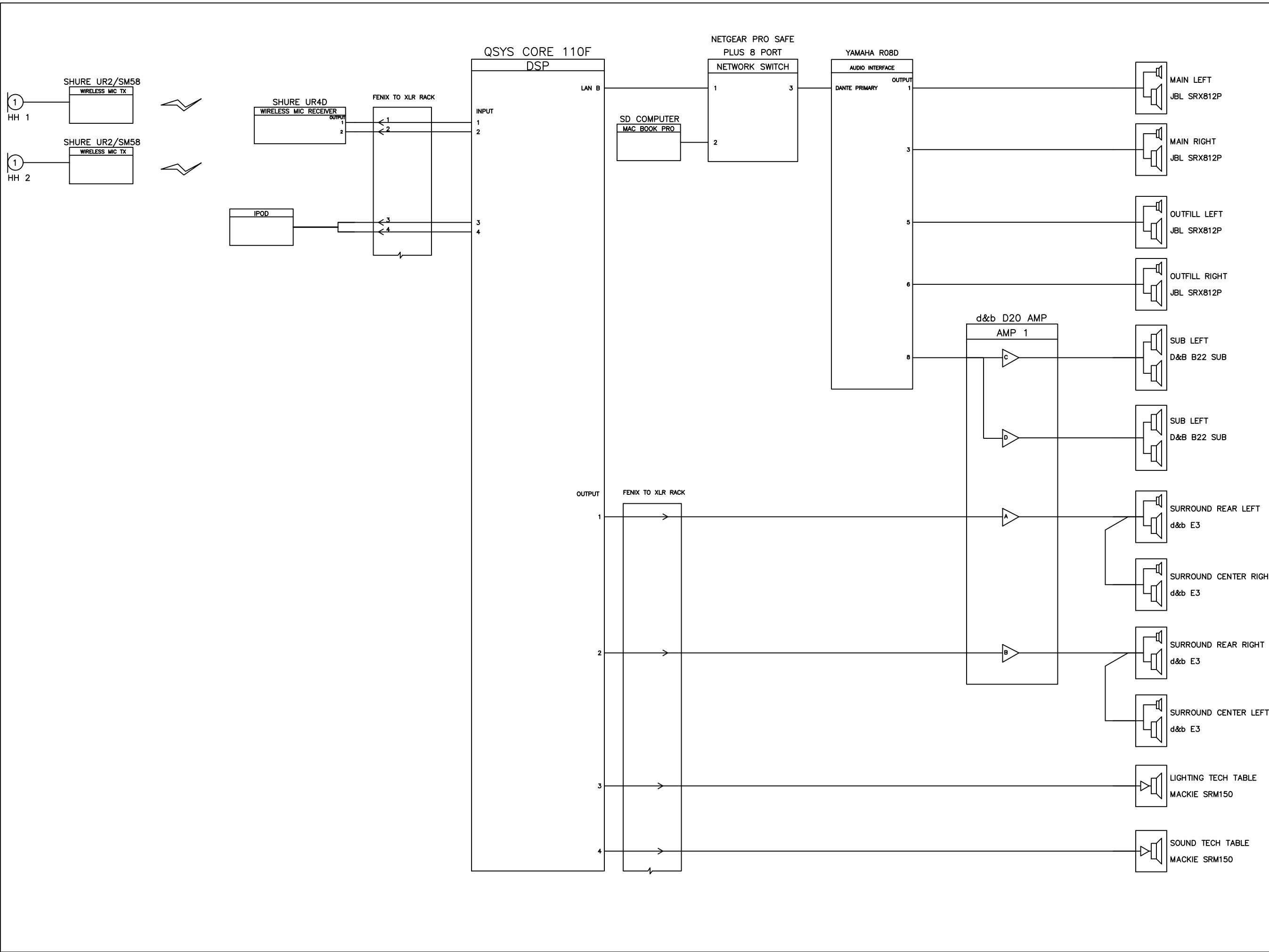
PLATE

5 / 9

DATE
1-Nov-22 | SCALE
NO SCALE

FILENAME
HW FINAL PACKAGE.DWG





FRANKIE & CHARLIE
Terrifying You Since 1831



SHOW
HILLOWEEN

VENUE
HISTORIC MITCHELL
COUNTY COURTHOUSE

DESIGNER
MATTHEW KUPFERER

DRAFTER
JAEDON HARPE

NOTES

TITLE
BLOCK
DIAGRAM

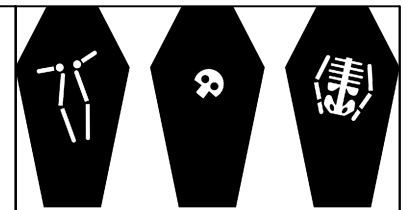
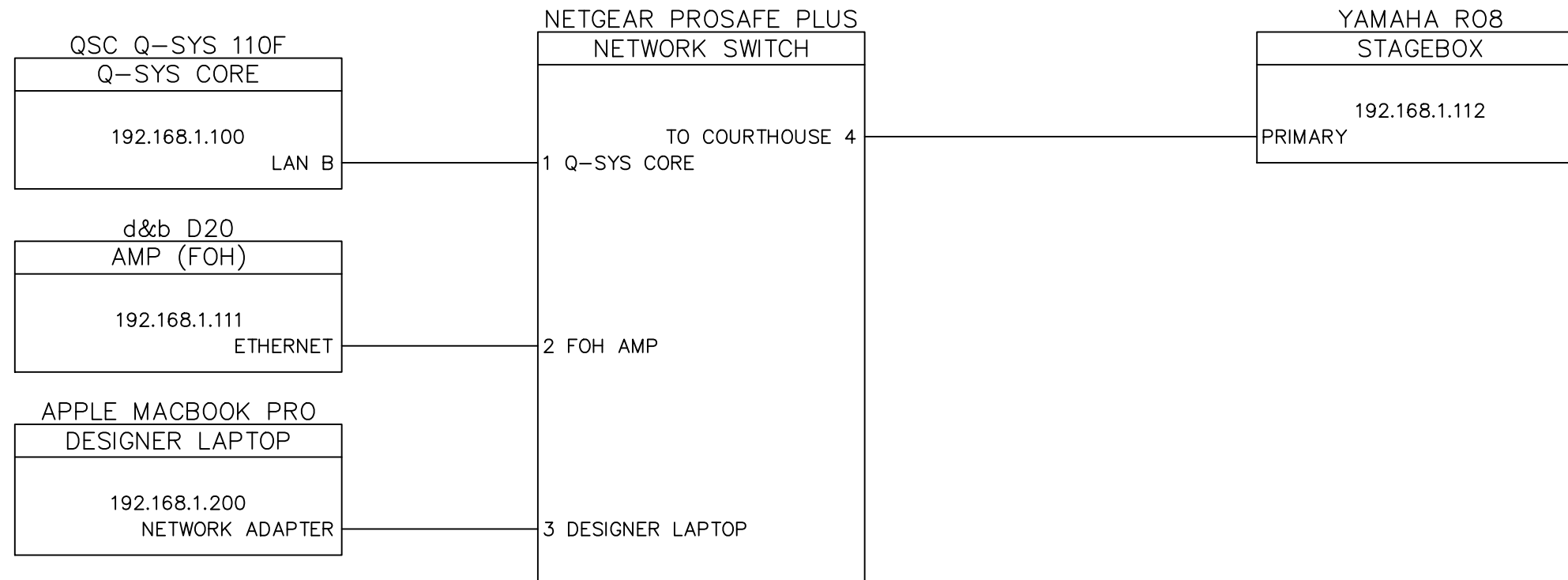
PLATE
6 / 9

DATE
1-Nov-22

SCALE
NO SCALE

FILENAME
HW FINAL PACKAGE.DWG

DANTE



FRANKIE & CHARLIE
Terrifying You Since 1831



SHOW
HILLOWEEN

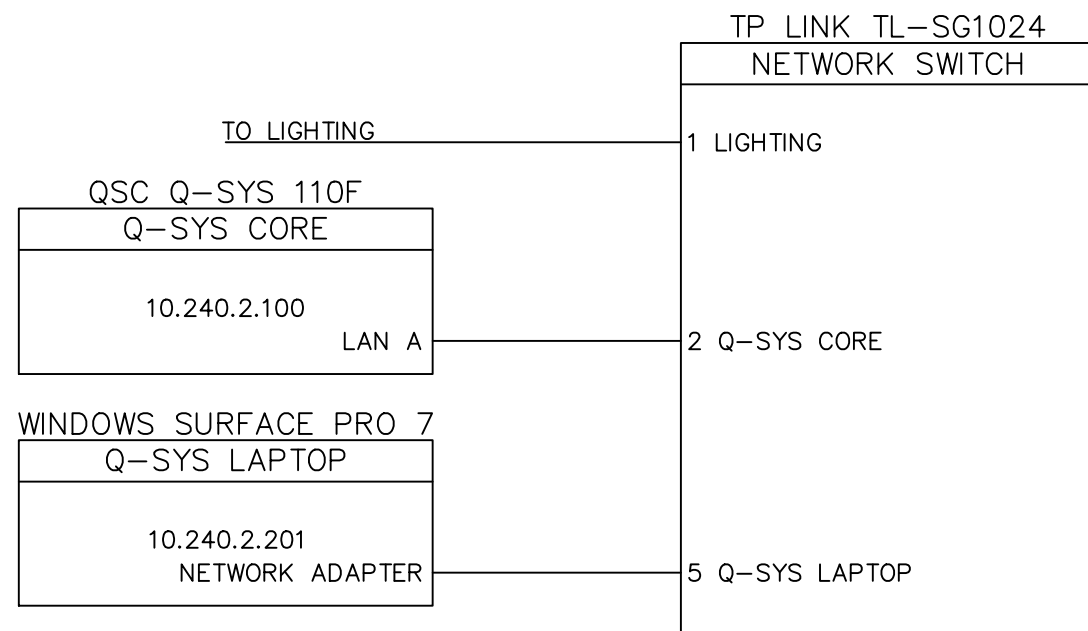
VENUE
HISTORIC MITCHELL
COUNTY COURTHOUSE

DESIGNER
MATTHEW KUPFERER

DRAFTER
MATTHEW KUPFERER

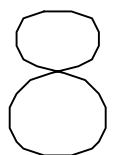
NOTES

CONTROL



TITLE
NETWORK
DIAGRAM

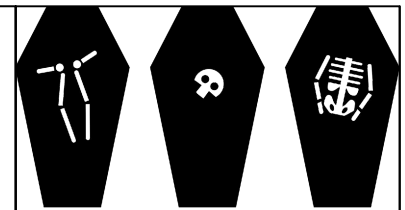
PLATE



9

DATE
1-Nov-22 | SCALE
NO SCALE

FILENAME
HW FINAL PACKAGE.DWG



FRANKIE & CHARLIE
Terrifying You Since 1831



SHOW
HILLOWEEN

VENUE
HISTORIC MITCHELL
COUNTY COURTHOUSE

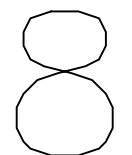
DESIGNER
MATTHEW KUPFERER

DRAFTER
JAEDON HARPE

NOTES

TITLE
POWER
DIAGRAM

PLATE



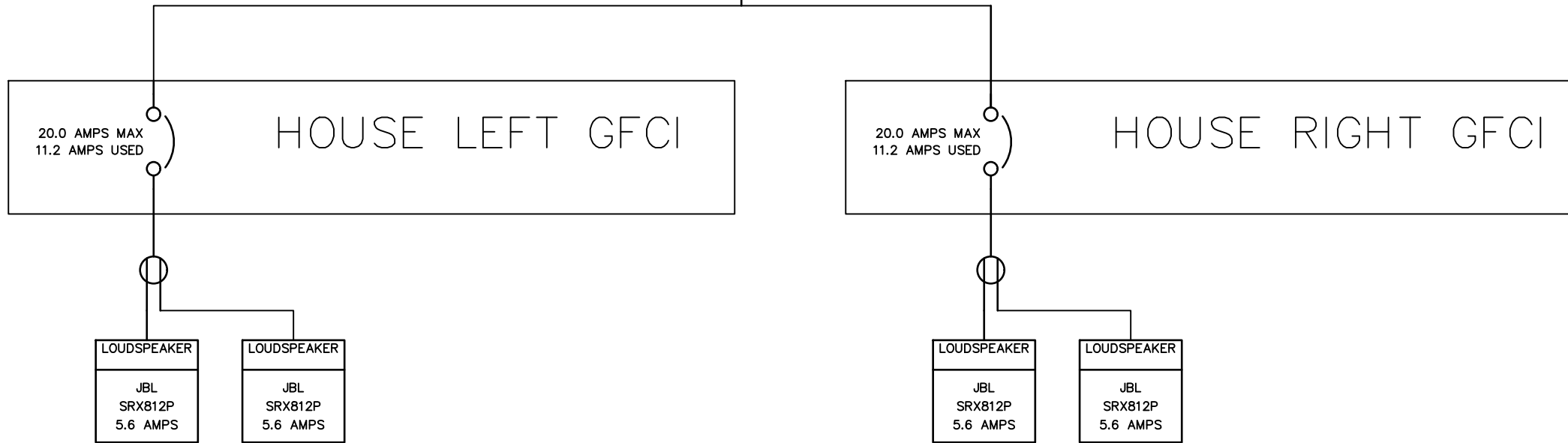
9

DATE
1-Nov-22

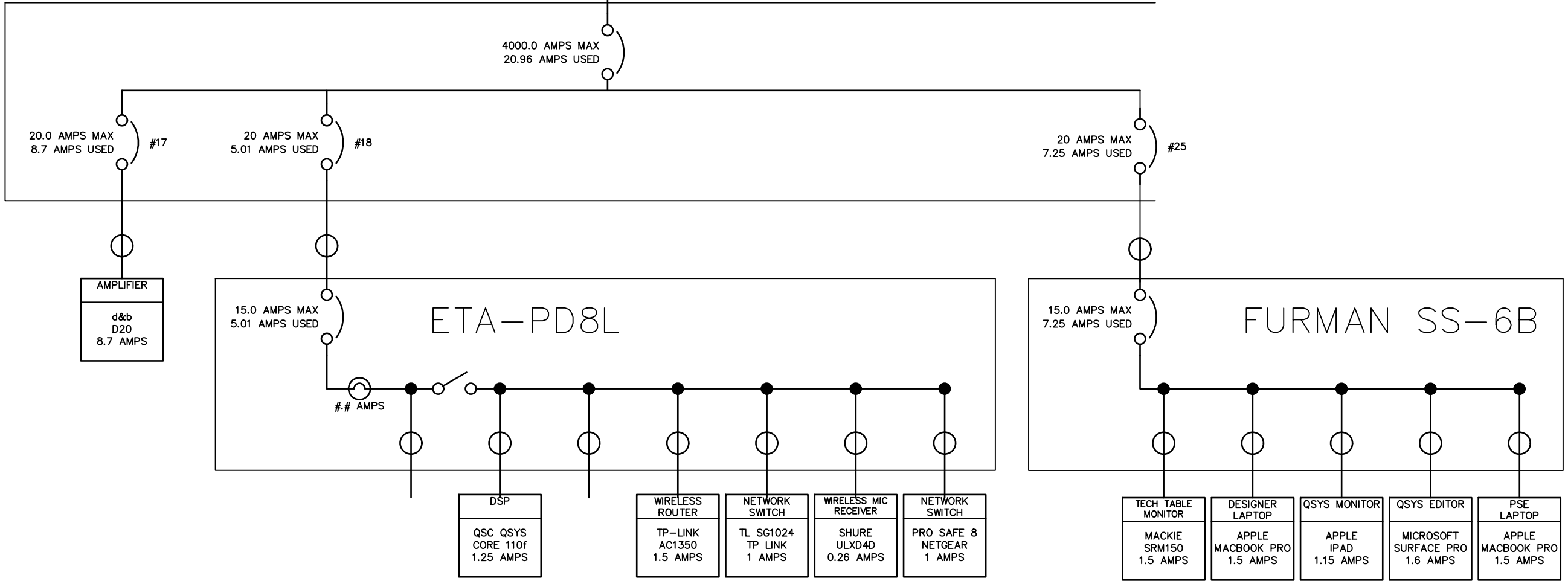
SCALE
NO SCALE

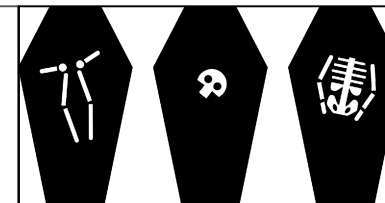
FILENAME
HW FINAL PACKAGE.DWG

UNAVAILABLE



GENERATOR





FRANKIE & CHARLIE
Terrifying You Since 1831



SHOW
HILLOWEEN

VENUE
HISTORIC MITCHELL
COUNTY COURTHOUSE

DESIGNER
MATTHEW KUPFERER

DRAFTER
JAEDON HARPE

NOTES

													Macbook Pro	USB-C Adapter		RJ45 S	RJ45 P	Cable	RJ45 P	RJ45 S	Port 3	Netgear ProSafe Plus						
Shure UR2/SM58	Wireless	Shure URD4+	Balanced Line 1	XLR P	XLR S	Cable	XLR P	XLR S	HH1	Cable	Phoniex P	Phoenix S	Mic 1	Q-SYS Core 110f	LAN B	RJ45 S	RJ45 P	Cable	RJ45 P	RJ45 S	Port 1							
Shure UR2/SM58	Wireless		Balanced Line 2	XLR P	XLR S	Cable	XLR P	XLR S	HH2	Cable	Phoniex P	Phoenix S	Mic 2															
				1/8 TRS P	Cable	XLR P	XLR S	iPod L	Cable	Phoniex P	Phoenix S	Mic 3																
					Cable	XLR P	XLR S	iPod R	Cable	Phoniex P	Phoenix S	Mic 4																
													Line out 1										Phoenix S	Phoenix P	Cable		Out 1	XLR P
													Line out 1										Phoenix S	Phoenix P	Cable		Out 1	XLR P
													Line out 3										Phoenix S	Phoenix P	Cable		Out 3	XLR P
													Line out 4										Phoenix S	Phoenix P	Cable		Out 4	XLR P

Netgear ProSafe Plus	Port 2	RJ45 S	RJ45 P	Cable	RJ45 P	RJ45 S	Dante Primary	Yamaha RO8	Out 1	XLR P	XLR S	Cable	XLR P	XLR S	CH 1	JBL SRX812P (Main Left)																	
									Out 3	XLR P	XLR S	Cable	XLR P	XLR S	CH 1	JBL SRX812P (Main Right)																	
									Out 5	XLR P	XLR S	Cable	XLR P	XLR S	CH 1	JBL SRX812P (Outfill Left)																	
									Out 6	XLR P	XLR S	Cable	XLR P	XLR S	CH 1	JBL SRX812P (Outfill Right)																	
									Out 8	XLR P	XLR S	Cable	XLR P	XLR S	In 3	d&b d20 Amplifier	Out C	NL4 S	NL4 P	Cable	NL4 P	NL4 S	d&b B22 Sub (Sub Left)										
																	Out D	NL4 S	NL4 P	Cable	NL4 P	NL4 S	d&b B22 Sub (Sub Right)										
									XLR P	XLR S	Cable						XLR P	XLR S	In 1	d&b d20 Amplifier	Out A	NL4 S	NL4 P	Cable	NL4 P	NL4 S	d&b E3 (Srnd Rear Left)	NL4 S	NL4 P	Cable	NL4 P	NL4 S	d&b E3 (Srnd Cntr Right)
									XLR P	XLR S	Cable						XLR P	XLR S	In 1		Out A	NL4 S	NL4 P	Cable	NL4 P	NL4 S	d&b E3 (Srnd Rear Right)	NL4 S	NL4 P	Cable	NL4 P	NL4 S	d&b E3 (Srnd Cntr Left)
									XLR P	XLR S	Cable						XLR P	XLR S	Main	Mackie SRM150 (Lighting Tech Table)													
									XLR P	XLR S	Cable						XLR P	XLR S	Main	Mackie SRM150 (Sound Tech Table)													

TITLE
PATCH PLOT

PLATE
9 / 9

DATE
1-Nov-22

SCALE
NO SCALE

FILENAME
HW FINAL PACKAGE.DWG